

Steel expansion joint - Type SA-33

Angular expansion joint, cardanic movable



Applications

- for compensating angular movement in angular and deflecting pipe routings
- as double or triple joint compensation system for large movements
- for reducing tension
- for installation in
 - industrial applications
 - pipe line and plant construction

Structure type SA-33

- Vacuum-proof angular expansion joint consisting of a stainless steel bellows and welded pipe ends (welding ends)
- Welded joint bars with cardan hinge restraints to absorb reaction force

Steel bellows PN 6 / PN 16

- Multiple convolution bellows in various stainless steel grades
- One ply or multi-ply structure

Material grade *	Material No. as per DIN EN	Temperature**	Possible uses
Stainless steel	1.4541	-196 °C	Low temperature, acids, lyes, gases, fertilizers
	1.4404, 1.4571	up to +550 °C +550 °C	Media containing chloride, oil, soap, drinking water, food stuff, petrol

* Check or inquire about the resistance of material grades to temperature and medium.

** Check or inquire about reduction in pressure by temperature.

Welding ends

Version

- Welded pipe ends

Dimensions

Standard: see tables of type SA-10 according to EN 1092

Others: DIN EN, ANSI, BS etc.

Materials

Standard: 1.0345 (P235GH)

1.0038 (S235JR)

Others: stainless steel etc.

Corrosion protection

Standard: anti-corrosion primed

Others: special varnish, etc.

Note

Please comply with the general technical instructions regarding reaction force, moving force, fixed point load, installation instructions, etc.

Subject to technical alterations and deviations resulting from the manufacturing process.

Hinge restraints

- Pivot of joint bars at center of bellows
- Hinge restraints control bellows movement

Materials

Standard: 1.0038 (S235JR)

Others: stainless steel, etc.

Corrosion protection

Standard: anti-corrosion primed

Others: special varnish, etc.

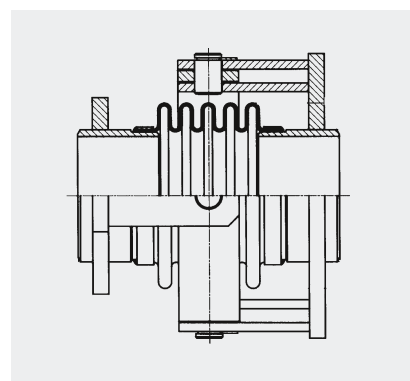
Special designs

Other sizes (DN), lengths or pressure ratings on request.

Certificates

- CE (DGR 97/23/EC)

Version



Type SA-33